

CONICAL HEAD (ABS019C-HO)



BISSON
THE PIPE FITTINGS EXPERTS

Sold either as part of a conical sampling kit (ABS019C) or individually, it is fed to a ceiling tile or chill or frozen store ceiling with the nut or washer (supplied) to sample air. The conical shape is specially designed to avoid ice or condensation from freezing over or covering the sampling hole. The 10mm OD tubing is a push fit to the top of the conical head, linking it to the capillary T piece.

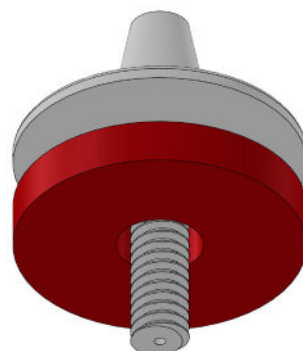
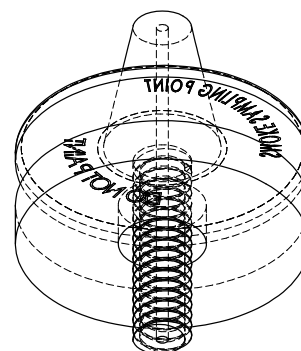
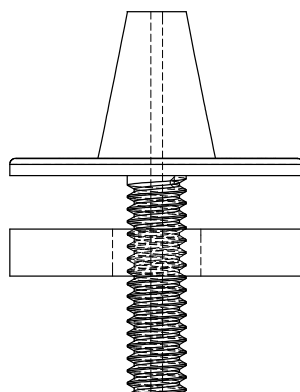
Installation Instructions:

Do not paint. Keep pipe clean and free from dust. Do not install in direct sunlight. Only install with approved pipe. Do not use solvents to clean, only soapy water.

PART NO.:
ABS019C-HO

PIPE COLOUR:
Red

DIAMETER TOLERANCE:
+ / - 0.15mm



Side Elevation

