

# 1 WAY BALL VALVE

(ABS1WV - 25mm)



This component is used to isolate certain area's of the pipe run if required, pipe can be attached on one side only using the union.

## Installation Instructions:

Use the correct solvent Plusbond 3019. Do not paint. Keep pipe clean and free from dust. Do not install in direct sunlight. Only install with approved pipe. Do not use solvents to clean, only soapy water.

**PART NO.:**  
ABS1WV - 25

**PIPE COLOUR:**  
Red

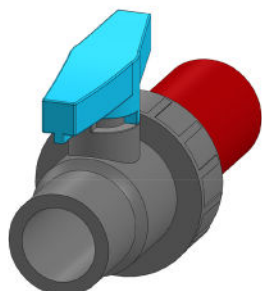
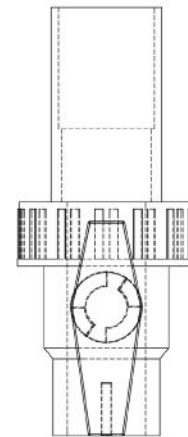
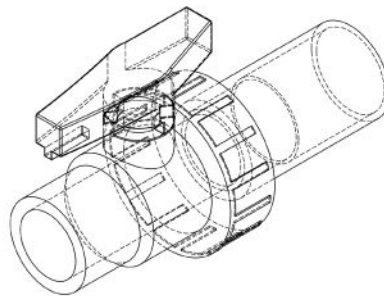
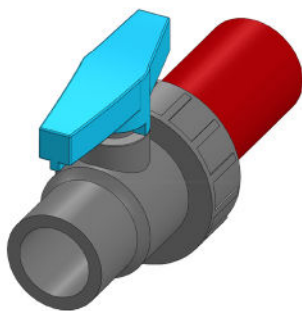
**OPERATING TEMP:**  
- 40 c to 70 c'

**INSIDE DIAMETER:**  
21mm

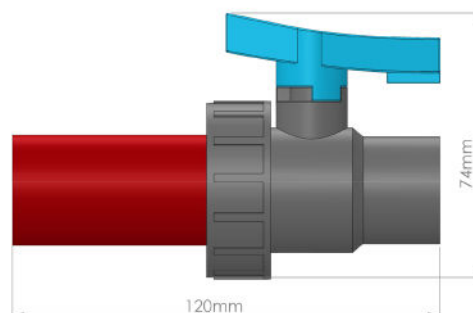
**FITTINGS COLOUR:**  
Red

**DIAMETER TOLERANCE:**  
+ / - 0.15mm'

**WALL THICKNESS:**  
2mm



Side Elevation



Front Elevation

